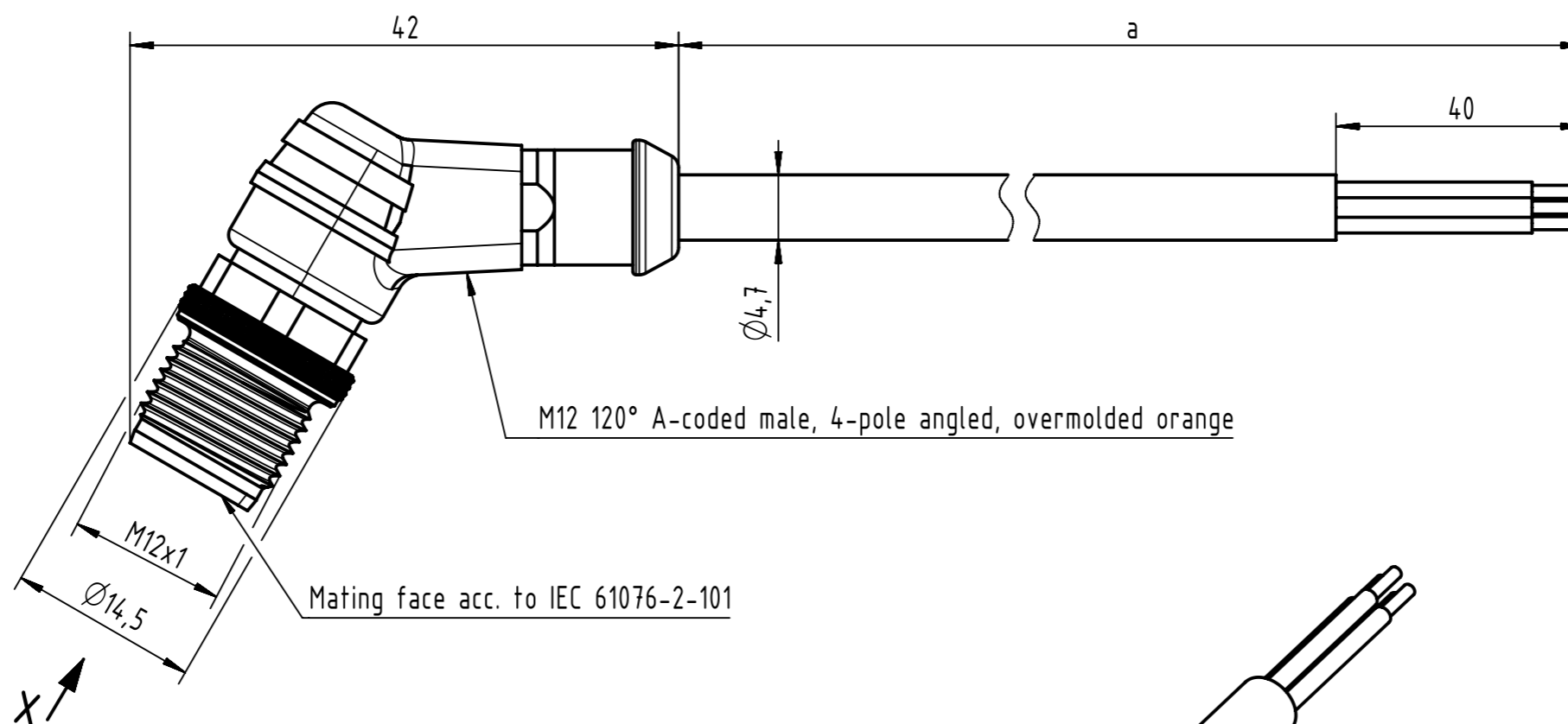
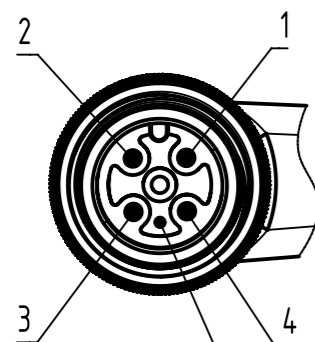


Connector Location A

Connector Location B



X

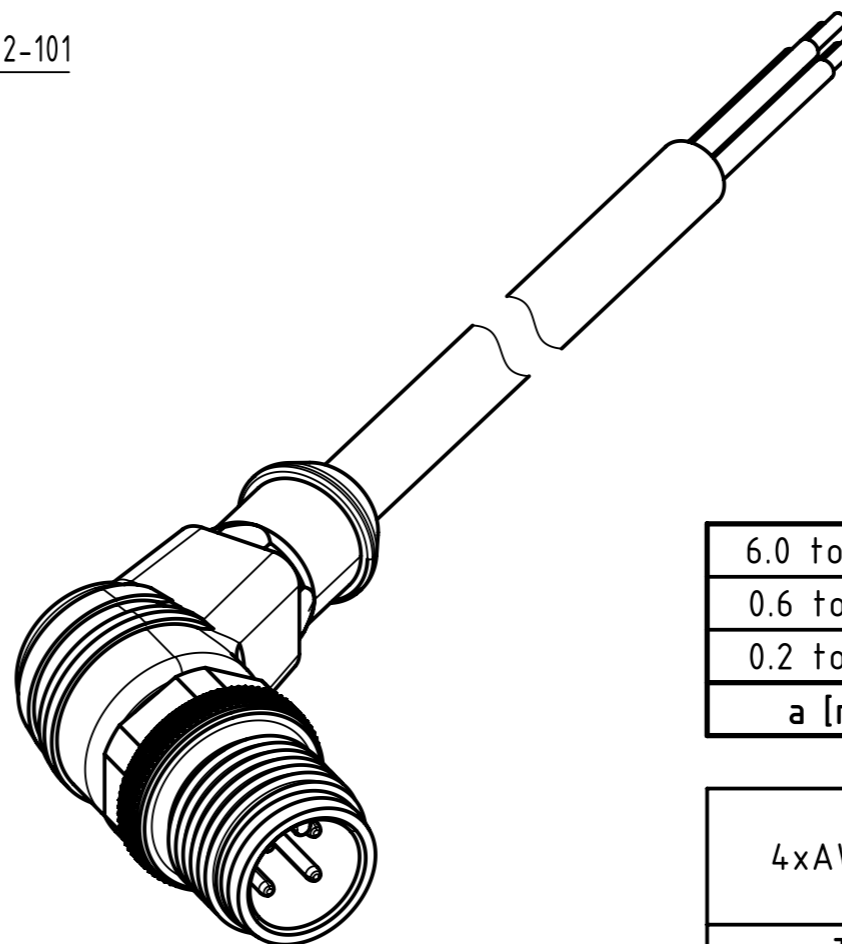


Loading-Plan:

- 1 — Brown
- 2 — White
- 3 — Blue
- 4 — Black

Mating face rotated with 90° from standard, orange

- Protection level: IP 65/67
- Temperature range: -25°C...+80°C



6.0 to 100	±1%
0.6 to 5.9	+0.04
0.2 to 0.5	+0.02
a [m]	Tolerance

length in "1m" step	100	XXX=000
	99	XXX=990
	12	XXX=120
	11	XXX=110
length in "0.1m" step	10	XXX=100
	9.9	XXX=099
	9.8	XXX=098
	0.5	XXX=005
	0.4	XXX=004
	0.3	XXX=003
	0.2	XXX=002
Step	a [m]	XXX

4xAWG22, PUR, black	2137B700430XXX
Type of cable	Part no.

	All rights reserved		Tech. Character.		Free size tol.		According to production drawing 2017-01-12	
	Department HCS - RO		Created by MUNTEANV	Inspected by COSTEA	Standardisation POPESCUD	Date 2017-01-16	State Final Release	
HARTING Customised Solutions		Title M12 120° A-coded Cable Assembly				Doc-Key / ECM-Nr. 100691434/UGD/000/C 500000113693		
D-32427 Minden		Type TB	Number 2137B700430XXX			Rev. C	Page 1/1	